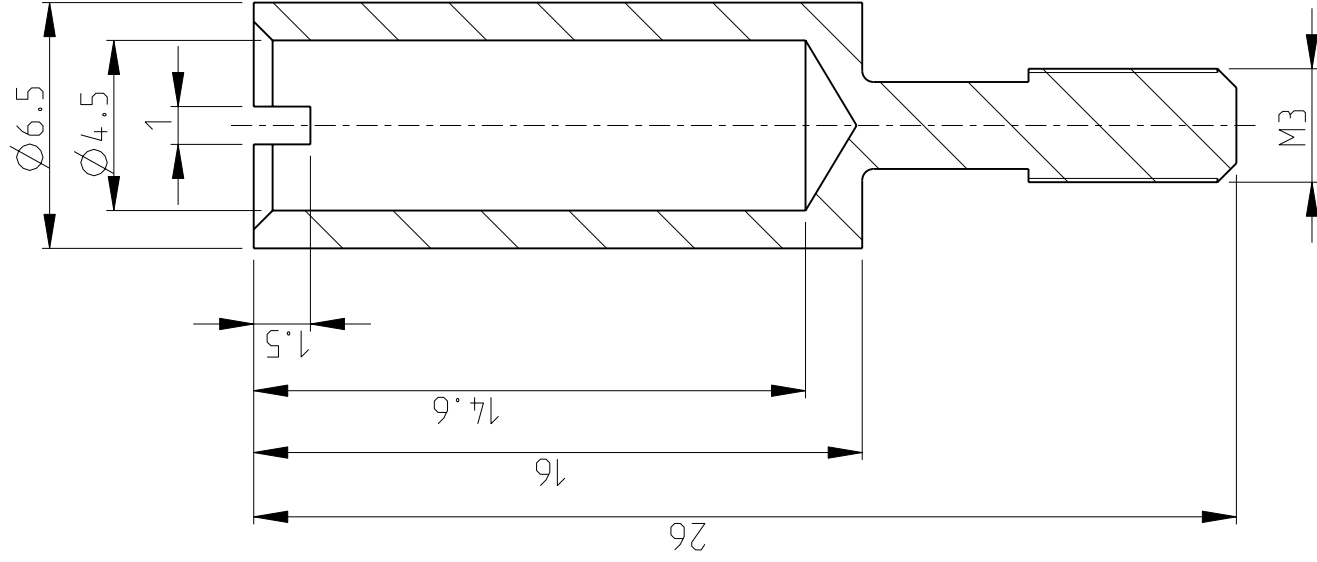


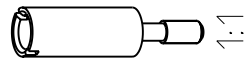
LOC	DIST	REVISONS		
A1	-	P	LTR	DESCRIPTION
		B1	NOTES ADDED ECR - 02280	DATE
				25JAN2008
				DWN
				GW
				APVD
				ST



Notes

- 1 PACKAGING: PACKED IN A BAG  
QUANTITY: 50 PIECES

PN 1-1  
AS SHOWN



2006

RELEASED FOR PUBLICATION

THIS DRAWING IS UNPUBLISHED.  
© COPYRIGHT 2006 BY TYCO ELECTRONICS CORPORATION. ALL RIGHTS RESERVED.

DIMENSIONS:		DWN	25JAN2008	MATERIAL	-	FINISH	-
mm		G.W	ROBLEW SKI	CHK	T.SCHNIURPFIL	APVD	25JAN2008
TOLERANCES UNLESS OTHERWISE SPECIFIED:		tyco Electronics AMP GmbH 53819 Neunkirchen (Germany)					
0 PLC	±	Tyco Electronics					
1 PLC	±	NAME					
2 PLC	±	PILOT SOCKET					
3 PLC	±	F-BU-M3					
4 PLC	±	SIZE					
ANGLES	±1°	CAGE CODE					
		DRAWING NO					
		A4 00779					
		RESTRICTED TO					
		C=1106101					
		SCALE					
		5:1					
		SHEET					
		1					
		OF					
		1					
		REV					
		B1					
CUSTOMER DRAWING							